



Barcode: 5060452083223

Patent: GB2301393

Version: v100.9



volthub™

Safe Li-Ion battery charging

Product code: VH16-110

- » Designed to safely charge and store Li-Ion batteries.
- » Passive and active technology with battery backup.
- » Weatherproof, secure and mobile, VoltHub can go anywhere.



Product features



Automatic fire suppression



Power supply 110V



32A IP67 power inlet



Suitable for site



Safety signage



Crane lifting eyes

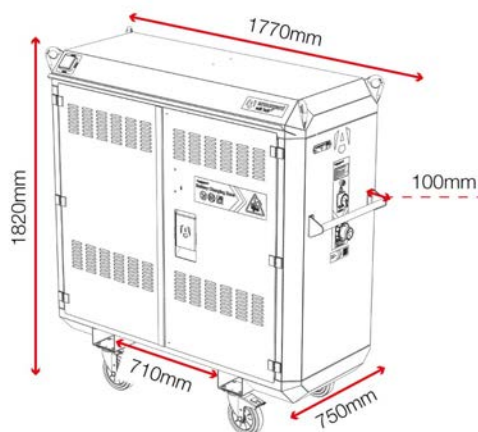


Standard 200mm castors

Product specifications

Weight	334kg
Colour	Black grey: RAL 7021, Traffic red: RAL 3020
Suitable for	Li-Ion battery charging
Finished coating	Powder coated
Material & thickness	1.5mm
Quantity of keys	2 keys
How are castors fitted?	Castor plates
Ventilation	Yes
Qty of shelves as standard	16 lockers
Qty of power sockets	32x 110V sockets

Dimensions - External dimensions includes protrusions



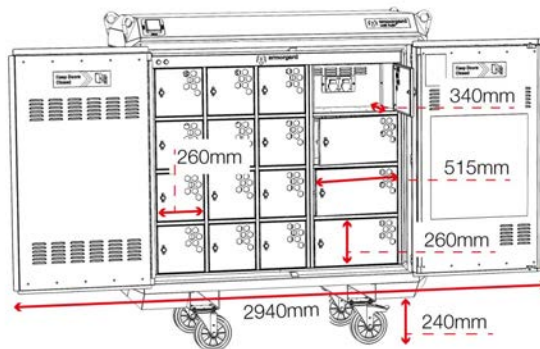
Related products - Contact Armorgard to find out more



Power-Stor FR200-P



VoltHub VH16-240



Disclaimer: all dimensions and weights are approximate

fire suppression systems



Armorgard VoltHub

The VoltHub is a unique solution to safely charging Lithium-Ion batteries. Designed with an integrated fire safety system that auto-activates in an emergency, it uses a special fire suppressant designed and tested with Lithium-Ion battery fires.



Information



Certification

EN 11056

NEN 1568

NTA8133-2021

EN 3-7+A1:2007 & NF074

Environmentally safe.
 Warning and information signage is displayed visibly to encourage safe usage.
 Completely free from the prohibited PFAS.



Fire Safety

The VoltHub Fire System is suitable for type A, B, D, and F fires, as well as Lithium fires.

The VoltHub Fire System is a pressurised analogue system. The VoltHub is designed to automatically detect the source of the fire in its respective locker.

The VoltHub Fire System is a reactive system that works independantly and requires no power.

Maintenance free, the VoltHub Fire System only requires regular annual checks in line with standard fire extinguisher regulations.

The VoltHub uses a pressurised targeting system that will detect and deploy the suppressant directly to the source of a thermal runaway event. The cooling properties of the suppressant released act fast as a catalyst to thermal runaway, providing containment and isolation of the battery fire. This rapid containment prevents thermal propagation of a faulty battery pack from affecting adjacent batteries.

The reason normal fire extinguishers are ineffective with LIB fires is due to the cooling and isolation properties of the chemicals used. In order to stop thermal runaway, the battery must contained and cooled as quickly as possible. To help aid the certified suppressant used in the VoltHub, the locker configuration helps to aid the isolation of thermal runaway by reducing the risk of the fire spreading.

The foam suppressant in the VoltHub contains a special formula, which is designed to neutralise the chemical reaction in a failed Li-Ion battery. This makes it almost impossible for the fire to reignite and the aftermath can be safely dealt with.

Environmentally friendly, the suppressant has no harmful long lasting effects to humans, animals, or plant life.

